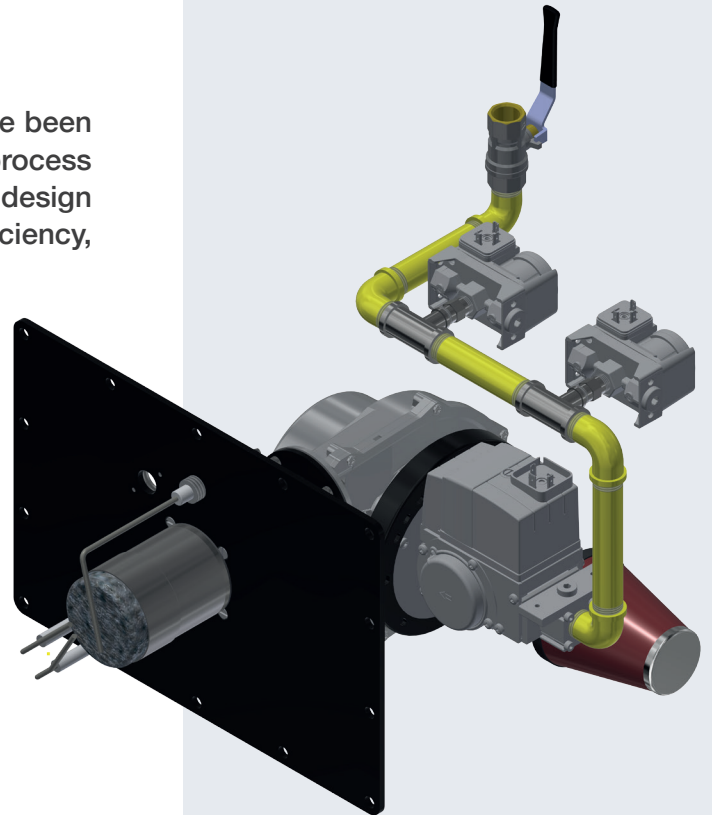


PRE-MIX SYSTEMS

The 3PPM Range of pre-mix gas burner systems have been designed for direct or indirect fired space heating or process applications. The well-proven cost effective design guarantees complete reliability, unparalleled energy efficiency, simple installation and minimal maintenance requirements. All burners can be mounted and pre-wired on a mounting plate or supplied as individual components to be mounted by the customer. Every system is manufactured to meet the customer requirements whether it be specialist fuels, voltages, chamber pressures or international standards.

- Robust, compact, modular design using proven technology for complete reliability.
- A highly competitive cost effective heating solution.
- Output ranges from 5 to 1000Kw.
- Modular burner system can be assembled to form any heat output requirement or burner orientation.
- Can be used with metal fibre systems providing infra-red or blue flame output modes.
- The ultimate in combustion efficiency.
- Fully modulating or On/Off fixed outputs available.
- Nat Gas, Propane or LPG Mix fuels can be used.
- Excellent flame stability, low CO and NOx emissions.
- Fully factory tested & pre-commissioned.



PRODUCT APPLICATIONS

Industrial Ovens Print Drying
Textile Drying Spray Drying
Paint Curing Automotive Body Curing
Chemical Drying Converting Industries
Space Heating Baking
Web Treatment Infra-red Systems
Ladle Pre-Heating & Drying

CONTACT

If you require further information on this or any other product or service, please contact our specialist engineers on +44 (0)1282 508555. Alternatively email us: info@ppp-ltd.co.uk

Proctor Process Plant Ltd
Billington Rd Ind Est, Billington Rd
Burnley, Lancashire BB11 5UB
Telephone: +44 (0)1282 508555
Email: info@ppp-ltd.co.uk